

2/6 P

2/6 POLI / POLES 3000/1000 rpm - V 400/50 Hz - Doppio avvolgimento / Double winding

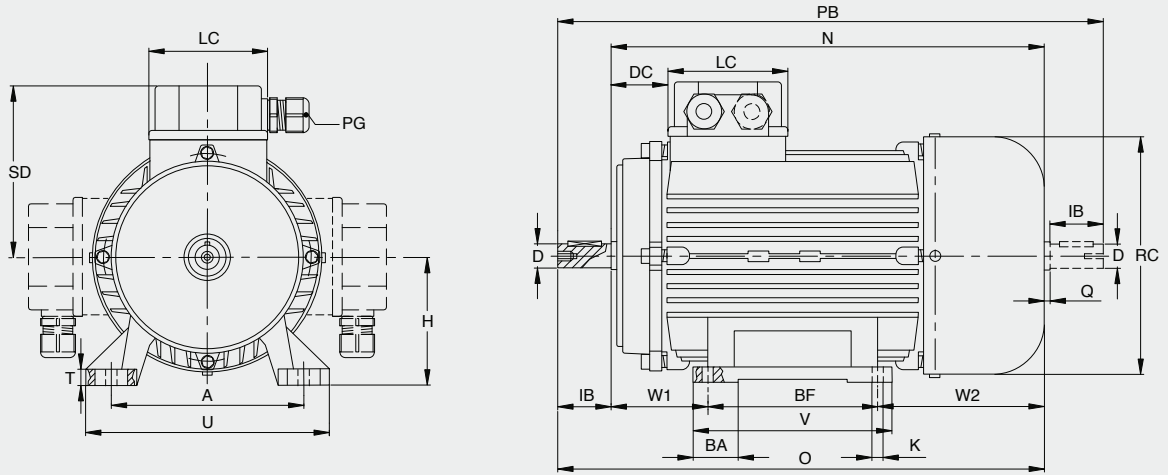
TIPO TYPE		Potenza Power		rpm	In 400 V A	Rend% Eff.%	Cosφ p.f.	Ia In	Ca Cn	Cn Nm	J kgm²	Peso Weight Kg	TIPO TYPE	DC				AC				DC - S				POS.DC				
DAV	poli poles	kw	hp											CF Nm	Cicli/h Cycles/h	PB Watt	Peso Weight Kg	CF Nm	Cicli/h Cycles/h	PB VA	Peso Weight Kg	CF Nm	Cicli/h Cycles/h	PB Watt	Peso Weight Kg	CF Nm	Cicli/h Cycles/h	PB Watt	Peso Weight Kg	CF Nm
DP63C	2	0,18	0,25	2760	0,800	58,0	0,56	3,0	1,8	0,62	0,00040	4,5	AD63C	2	4	2800	20	6,1	5	2800	40	6,1	3	2800	18	5,8	7,5	2800	11,5	4,8
	6	0,09	0,12	770	0,700	32,5	0,57	1,3	1,5	1,12	0,00040	4,5		6	4	12000	20	6,1	5	12000	40	6,1	3	12000	18	5,8	7,5	12000	11,5	4,8
DP71C	2	0,25	0,35	2800	0,900	63,0	0,64	3,2	1,9	0,85	0,00090	6,3	AD71C	2	4	2700	20	8,0	5	2700	40	8,0	4	2700	18	7,6	7,5	2700	11,5	7,3
	6	0,15	0,20	760	0,850	46,0	0,55	1,4	1,6	1,89	0,00090	6,3		6	4	11000	20	8,0	5	11000	40	8,0	4	11000	18	7,6	7,5	11000	11,5	7,3
DP80A	2	0,55	0,75	2800	1,400	74,8	0,76	3,8	2,0	1,88	0,00140	8,7	AD80A	2	8	1800	25	11,0	10	1800	70	11,0	9	1800	25	10,9	15,0	1800	16,0	9,7
	6	0,20	0,30	770	1,200	39,5	0,61	1,5	1,6	2,48	0,00140	8,7		6	8	13500	25	11,0	10	13500	70	11,0	9	13500	25	10,9	15,0	13500	16,0	9,7
DP80B	2	0,75	1,00	2895	1,631	92,0	0,72	4,1	2,2	2,48	0,00170	9,9	AD80B	2	8	1800	25	13,0	10	1800	70	13,0	9	1800	25	11,2	15,0	1800	16,0	11,0
	6	0,30	0,40	940	1,233	52,0	0,68	1,6	2,0	3,05	0,00170	9,9		6	8	13500	25	13,0	10	13500	70	13,0	9	13500	25	11,2	15,0	13500	16,0	11,0
DP90S	2	1,00	1,40	2705	2,724	58,0	0,91	4,4	2,1	3,53	0,00330	12,5	AD90S	2	16	1600	30	17,0	20	1600	120	17,0	10	1600	25	14,7	30,0	1600	21,0	15,0
	6	0,48	0,65	920	1,664	60,0	0,69	1,8	2,1	4,98	0,00330	12,5		6	16	13500	30	17,0	20	13500	120	17,0	10	13500	25	14,7	30,0	13500	21,0	15,0
DP90L	2	1,35	1,80	2849	3,169	72,7	0,85	5,1	2,3	4,53	0,00450	14,0	AD90L	2	16	1600	30	19,0	20	1600	120	19,0	10	1600	25	16,2	30,0	1600	21,0	16,5
	6	0,65	0,90	922	2,169	62,4	0,69	1,9	2,0	6,74	0,00450	14,0		6	16	12000	30	19,0	20	12000	120	19,0	10	12000	25	16,2	30,0	12000	21,0	16,5
DP90LB	2	1,80	2,50	2850	4,300	73,0	0,83	5,7	2,0	6,03	0,00500	16,0	AD90LB	2	16	1600	30	21,0	20	1600	120	21,0	10	1600	25	18,2	30,0	1600	21,0	18,5
	6	0,90	1,20	860	3,100	64,0	0,66	2,1	2,0	10,00	0,00500	16,0		6	16	11000	30	21,0	20	11000	120	21,0	10	11000	25	18,2	30,0	11000	21,0	18,5
DP100A	2	1,80	2,50	2877	4,120	71,0	0,89	5,5	2,2	5,98	0,00900	19,0	AD100A	2	32	1600	40	25,5	40	1600	160	27,5	12	1600	35	22,5	60,0	1600	28,0	23,0
	6	0,90	1,20	937	2,660	69,0	0,71	1,9	2,1	9,18	0,00900	19,0		6	32	13000	40	25,5	40	13000	160	27,5	12	13000	35	22,5	60,0	13000	28,0	23,0
DP100B	2	2,20	3,00	2780	5,073	66,0	0,95	6,4	2,3	7,56	0,01000	22,0	AD100B	2	32	900	40	29,0	40	900	160	31,0	12	900	35	25,5	60,0	900	28,0	26,0
	6	1,10	1,50	920	3,415	65,2	0,71	2,0	2,1	11,42	0,01000	22,0		6	32	13000	40	29,0	40	13000	160	31,0	12	13000	35	25,5	60,0	13000	28,0	26,0
DP112A	2	3,00	4,00	2900	6,800	74,0	0,86	6,7	2,4	9,88	0,01500	32,0	AD112A	2	60	900	50	41,0	60	900	300	41,0	13	900	35	35,7	60,0	900	28,0	39,0
	6	1,50	2,00	910	4,600	53,0	0,89	2,1	2,0	15,75	0,01500	32,0		6	60	7700	50	41,0	60	7700	300	41,0	13	7700	35	35,7	60,0	7700	28,0	39,0
DP132S	2	4,00	5,40	2940	12,000	70,0	0,69	7,0	2,6	13,00	0,03000	44,0	AD132S	2	80	300	55	57,0	90	300	500	58,0	13	300	35	58,5	120,0	300	38,0	56,0
	6	1,80	2,40	900	6,500	64,0	0,63	2,2	2,0	19,11	0,03000	44,0		6	80	1500	55	57,0	90	1500	500	58,0	13	1500	35	58,5	120,0	1500	38,0	56,0
DP132M	2	5,90	8,00	2934	12,630	79,0	0,85	7,2	2,8	19,21	0,04000	53,0	AD132M	2	80	300	55	66,0	90	300	500	67,0	17	300	35	57,5	120,0	300	38,0	65,0
	6	2,60	3,50	969	6,815	80,0	0,69	2,6	2,0	25,64	0,04000	53,0		6	80	1500	55	66,0	90	1500	500	67,0	17	1500	35	57,5	120,0	1500	38,0	65,0
DP160M	2	7,50	10,00	2900	19,000	78,0	0,73	7,0	2,6	24,71	0,08800	70,0	AD160M	2	150	300	85	108,0	200	300	600	106,0	30	300	65	95,0	240,0	300	45,0	91,0
	6	3,00	4,00	960	12,500	72,0	0,48	5,6	2,1	29,86	0,08800	70,0		6	150	800	85	108,0	200	800	600	106,0	30	800	65	95,0	240,0	800	45,0	91,0
DP160L	2	11,00	15,00	2900	24,000	82,0	0,81	7,0	2,8	36,24	0,10600	90,0	AD160L	2	150	300	85	119,0	200	300	600	117,0	30	300	65	106,0	240,0	300	45,0	101,0
	6	7,50	10,00	970	15,500	82,0	0,85	5,8	2,3	73,87	0,10600	90,0		6	150	600	85	119,0	200	600	600	117,0	30	600	65	106,0	240,0	600	45,0	101,0
DP180M	2	15,00	20,00	2920	36,000	85,0	0,71	6,2	2,6	49,08	0,13000	115,0	AD180M	2	260	200	100	134,0	400	200	600	134,0	-	-	-	-	480,0	200	70,0	135,5
	6	9,60	13,00	940	20,000	85,0	0,82	5,8	1,4	97,57	0,13000	115,0		6	260	200	100	134,0	400	200	600	134,0	-	-	-	-	480,0	200	70,0	135,5
DP180L	2	18,50	25,00	2920	39,000	87,0	0,79	6,3	2,2	60,53	0,15000	130,0	AD180L	2	260	200	100	149,0	400	200	600	149,0	-	-	-	-	480,0	200	70,0	150,5
	6	11,00	15,00	930	23,000	86,0	0,80	5,8	1,4	113,01	0,15000	130,0		6	260	200	100	149,0	400	200	600	149,0	-	-	-	-	480,0	200	70,0	150,5
DP200L	2	25,00	35,00	2900	55,000	88,0	0,75	7,0	2,5	82,36	0,20000	150,0	AD200L	2	400	100	100	169,0	400	100	600	169,0	-	-	-	-	480,0	100	70,0	170,5
	6	13,50	18,00	940	28,000	86,0	0,81	6,0	1,4	137,21	0,20000	150,0		6	400	100	100	169,0	400	100	600	169,0	-	-	-	-	480,0	100	70,0	170,5

Motori asincroni trifase **doppia polarità** serie DP
 DP series **two-speed** three-phase induction motors
 AD series **two-speed** three-phase induction **brake** motors

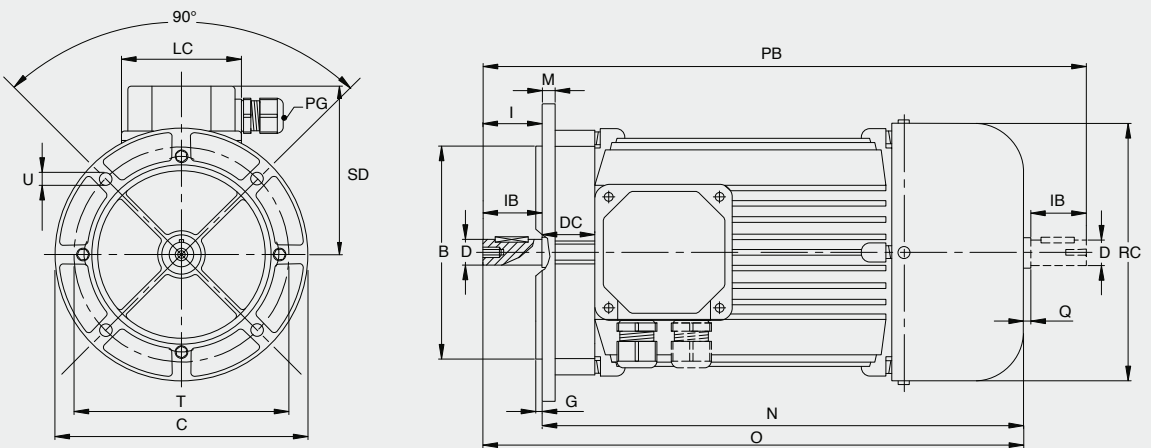
Dimensioni motori trifase e doppia polarità serie T - DP - HE2 - HE3** - IN
 Dimensions of three-phase and two-speed motors series T - DP - HE2 - HE3** - IN

In generale dalla grandezza 71 ÷ 200 piedi riportati / In generale dalla grandezza 71 ÷ 200 piedi riportati

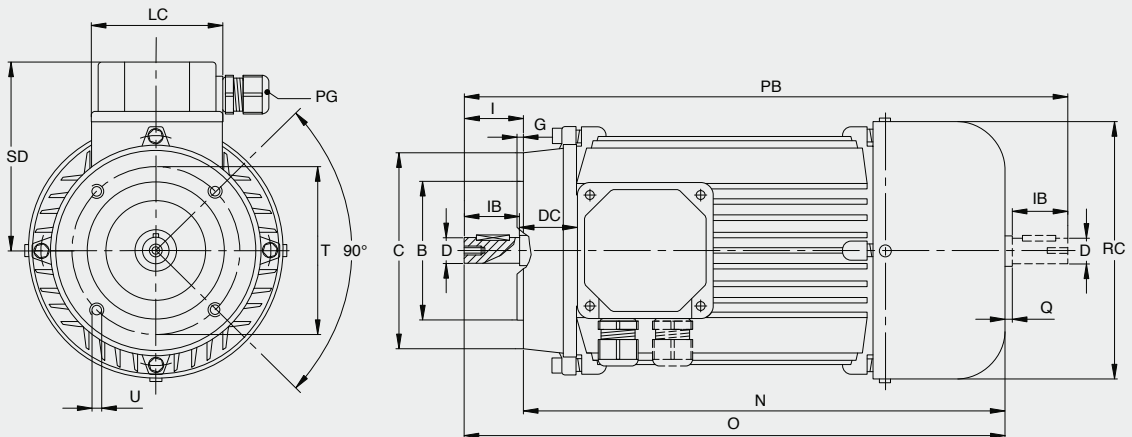
B3



B5

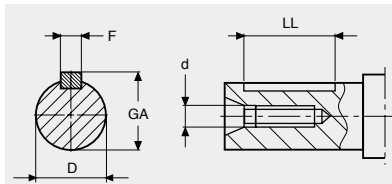


B14



* vedere pag. 45 ** su richiesta * see page 45 ** upon request

Tab. 37



Grand. / Size	50	56	63	71	80	90	100	112	132	160	180	200
F	3	3	4	5	6	8	8	8	10	12	14	16
D	9	9	11	14	19	24	28	28	38	42	48	55
GA	10,2	10,2	12,5	16,0	21,5	27,0	31,0	31,0	41,0	45,0	52,5	59,0
d		M4	M4	M5	M6	M8	M10	M10	M12	M16	M16	M20
LL	15	15	15	20	30	40	50	50	60	100	90	100

Grand. Size	Dimensioni / Dimensions																			B3	
	D	IB	A	BF	K	H	W1	W2	N	O	PG	RC	SD	TP	U	V	PB	Q	LC	DC	BA
56	9	20	90	71	6	56	36	61,0	168,0	188,0	M16	110	95	10	108	90	211,0	3	75	24	25
63	11	23	100	80	7	63	40	70,5	190,5	213,5	M16	123	100	10	120	105	239,5	3	75	28	27
71	14	30	112	90	8	71	48	80,0	218,0	248,0	M16	137	109	11	136	108	281,0	3	75	36	24
80	19	40	125	100	9	80	54	88,0	242,0	282,0	M20	156	123	13/14	154	125	326,0	4	91	35	30
90S	24	50	140	100	10	90	59	96,0	255,0	305,0	M20	176	128	13/15	170	130	358,0	3	91	40	30
90L	24	50	140	125	10	90	59	96,0	280,0	330,0	M20	176	128	13/15	170	155	383,0	3	91	40	32
100	28	60	160	140	13	100	63	109,0	312,0	372,0	M20	194	140	15/16	192	175	437,0	5	91	45	32
112	28	60	190	140	13	112	72	118,0	330,0	390,0	M20	218	148	15	224	176	455,0	5	91	47	34
132S	38	80	216	140	14	132	89	151,5	380,5	460,5	M32	258	177	16/18	260	180	546,5	6	106	57	37
132M	38	80	216	178	14	132	89	151,5	418,5	498,5	M32	258	177	16/18	260	218	584,5	6	106	57	37
160M	42	110	254	210	16	160	108	173,0	491,0	601,0	M32	309	220	18	318	260	718,0	7	165	118	52
160L	42	110	254	254	16	160	108	173,0	535,0	645,0	M32	309	220	18	318	304	-	-	165	118	52
180	48	110	280	280	16	180	120	210,0	610,0	720,0	M32	346	260	24	346	330	-	-	187	51	42
200	55	110	318	305	18	200	118	208,0	631,0	741,0	M32	348	260	26	398	355	-	-	187	62	54

Grand. Size	Dimensioni / Dimensions																			B5	
	D	I	B	C	G	M	N	O	PG	RC	SD	T	U	PB	Q	LC	DC	IB	LC	DC	BA
56	9	20	80	120	2,5	8,5	168,0	188,0	M16	110	95	100	7,0	211,0	3	75	24	20	75	24	25
63	11	23	95	140	2,5	10,0	190,5	213,5	M16	123	100	115	9,5	239,5	3	75	28	23	75	28	27
71	14	30	110	160	3,0	10,0	218,0	248,0	M16	137	109	130	9,5	281,0	3	75	36	30	75	36	24
80	19	40	130	200	3,0	11,0	242,0	282,0	M20	156	123	165	12,0	326,0	4	91	35	40	91	35	30
90S	24	50	130	200	3,5	10,0	255,0	305,0	M20	176	128	165	12,0	358,0	3	91	40	50	91	40	30
90L	24	50	130	200	3,5	10,0	280,0	330,0	M20	176	128	165	12,0	383,0	3	91	40	50	91	40	32
100	28	60	180	250	4,0	14,0	312,0	372,0	M20	194	140	215	14,5	437,0	5	91	45	60	91	45	32
112	28	60	180	250	4,0	14,0	330,0	390,0	M20	218	148	215	14,5	455,0	5	91	47	60	91	47	34
132S	38	80	230	300	4,0	20,0	380,5	460,5	M32	258	177	265	14,5	546,5	6	106	57	80	106	57	37
132M	38	80	230	300	4,0	20,0	418,5	498,5	M32	258	177	265	14,5	584,5	6	106	57	80	106	57	37
160M	42	110	250	350	5,0	20,0	491,0	601,0	M32	309	220	300	18,5	718,0	7	165	118	110	165	118	52
160L	42	110	250	350	5,0	20,0	535,0	645,0	M32	309	220	300	18,5	-	-	165	118	110	165	118	52
180	48	110	250	350	5,0	20,0	610,0	720,0	M32	346	260	300	19,0	-	-	187	51	110	187	51	42
200	55	110	300	400	5,0	20,0	631,0	741,0	M32	348	260	350	19,0	-	-	187	62	110	187	62	54

Grand. Size	Dimensioni / Dimensions																			B14	
	D	I	B	C	G	N	O	PG	RC	SD	T	U	PB	Q	LC	DC	IB				
50A	9	20	50	80	2,5	125,0	145,0	M16	98	77	65	M5	-	-	56	20	20				
50B	9	20	50	80	2,5	141,0	161,0	M16	98	77	65	M5	184,0	3	64	23	20				
56	9	20	50	80	2,5	168,0	188,0	M16	110	95	65	M5	211,0	3	75	24	20				
63	11	23	60	90	2,5	190,5	213,5	M16	123	100	75	M5	239,5	3	75	28	23				
71	14	30	70	105	3,0	218,0	248,0	M16	137	109	85	M6	281,0	3	75	36	30				
80	19	40	80	120	3,0	242,0	282,0	M20	156	123	100	M6	326,0	4	91	35	40				
90S	24	50	95	140	3,0	255,0	305,0	M20	176	128	115	M8	358,0	3	91	40	50				
90L	24	50	95	140	3,0	280,0	330,0	M20	176	128	115	M8	383,0	3	91	40	50				
100	28	60	110	160	4,0	312,0	372,0	M20	194	140	130	M8	437,0	5	91	45	60				
112	28	60	110	160	4,0	330,0	390,0	M20	218	148	130	M8	455,0	5	91	47	60				
132S	38	80	130	200	4,0	380,5	460,5	M32	258	177	165	M10	546,5	6	106	57	80				
132M	38	80	130	200	4,0	418,5	498,5	M32	258	177	165	M10	584,5	6	106	57	80				
160M	42	110	180	250	4,0	491,0	601,0	M32	309	220	215	M12	718,0	7	165	118	110				
160L	42	110	180	250	4,0	535,0	645,0	M32	309	220	215	M12	-	-	165	118	110				

B14 - grandezze 180 / 200 disponibili su richiesta B14 - sizes 180 / 200 available on request